



## Eclipse Opening Roof



Open up to a world of possibilities

# Versatility

The Eclipse can be built as a commercial awning or patio cover, as a roof for glass or screened enclosures, or to cover a swimming pool.

The Eclipse Opening Roof can be installed flat, pitched, curved, angular or used vertically as a privacy screen. The smooth flowing lines, together with an extensive colour range and choice of finishes, allows the Eclipse to blend brilliantly with any architectural style.

For added comfort and convenience the Eclipse Opening Roof can be completely meshed-in, both top and sides, creating an effective barrier against disturbing insects.





## Comfort

### Summer or Winter – The Eclipse Opening Roof provides the best of both worlds!

In summer, block out the heat and keep cooling costs down by simply closing the roof or opening it partially for shaded ventilation. The Eclipse provides the ultimate control over the amount of shade you need. For those with sensitive skin or those concerned about health risks due to sun exposure, the Eclipse is the perfect answer – full light can be enjoyed without direct sunlight.

During the summer months, a place is often sought to provide shade from the sun's heat with cool ventilation. The Eclipse offers a solution, as natural convection draws the warm air up through the open louvres to give you cooling breezes below.

In winter the slim line louvres can be positioned to allow the sun's natural warmth and light into rooms to save on energy costs. With the simple push of a button, the louvres can be moved to give the desired lighting level into a room, office or building. This natural light illuminates work and living areas while providing savings in power consumption.



# Architectural

Architects and building designers rely on flexibility and high quality products in order to achieve a credible long-term endorsement of their creative abilities.

The Eclipse Opening Roof Range and Sun Louvre System provide a reliable and stylish option to enhance the outdoor living areas of both residential and commercial developments.

The integrity of the Eclipse has been proven in both the national and international arena of architectural design.

# Design

The Eclipse Opening Roof creates a visually stunning and functional outdoor living area all year round.

Whether it is a pitched, flat or angled roof, you can design an Eclipse Opening Roof to suit the personal style of your home.

The Australian designed one-piece extruded aluminium louvre and stainless steel components are engineered to the highest standards, making the Eclipse suitable for extreme heat, strong winds and corrosive, coastal conditions.

Not only can the Eclipse lower your energy costs, but provide many years of enjoyable trouble-free operation.





## Control

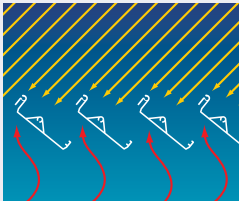
The Eclipse Opening Roof Range now offers greater versatility with new technology and control system options.

As before we still have the efficient 12V motor drive with touchpad, remote, rain sensor and home automation connection options. Added to the range is the new 24V Linear system, which is capable of operating larger roof areas. The Linear system can control your opening roof bays one at a time or multiple bays together. It can also control LED downlights fitted into your opening roof project, motorised blinds, fans, heaters and more, all from the one handset.

The new Linear system comes in remote control and has the added options of phone, tablet or PC control and can also be operated from home operation.

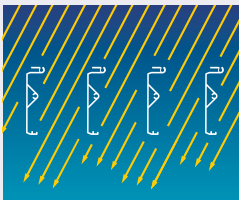
# Benefits

- Allow warmth into rooms for comfort
- Opened louvres reflect light into south facing areas
- Added cooling and greater comfort
- Cold and dark rooms are brought to life with natural light
- Complete control is available
- There is no need to move inside when it rains
- Catch the rain while partially open to allow ventilation
- Particularly beneficial for warm humid conditions
- Tailored to individual needs to add value and style
- Years of trouble free service, protection from hail, debris etc
- Low maintenance
- Colour matched to your personal tastes
- Peace of mind that you have the best
- Easy to use, safe and uses little or no electricity



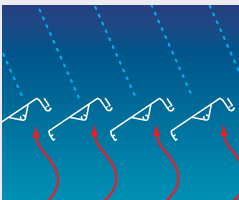
## Open for summer shade and ventilation

For shade, angle the louvre against the sun and still enjoy plenty of light.  
Natural ventilation is created by air passing through louvres to provide cooling breezes.  
Shade protection for people and buildings.



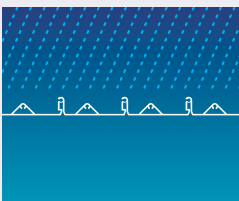
## Open for winter sun

In cooler weather enjoy the natural warmth of sunlight through the louvres.  
Maximum light available.  
Warmth into rooms and outdoor areas.  
Passive solar heating.



## Open for rain protection and ventilation

With louvres opened a small distance, protection is still provided from light rain.  
Ventilation and shade protection is achieved.  
Great for warm humid conditions or when there are occasional light showers.



## Closed for tight rain protection

Louvres interlock to keep out the weather.  
Deep channels in each louvre carry water away to surrounding gutter.  
No need to move inside when it starts to rain.



A complete system for controlling lights, motors and energy loads, combined with designer LED lighting.









Adapt

## The Sun Louvre Range - Elliptical Louvres

This new louvre has been designed to complement the Eclipse Louvre range and add a new dimension of style to offices and homes alike.

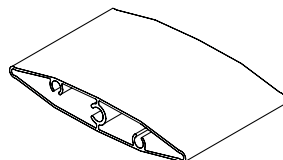
The Sun Louvre is great in vertical or horizontal arrangements to create window awnings, privacy screens, wind and sun blocks. It can also be designed as a roof shade structure.

The Sun Louvre is not designed to be a water tight product but as the name suggests, it is instead a sun shade system built vertically or horizontally with opening or fixed louvres capable of almost limitless designs.

**Vertical applications** - Shade screens for office blocks. Privacy screen for balconies, windows and unit complexes. Window furnishings fitted internally or externally.

**Horizontal applications** - Patio/Shade awning for pergola areas, balconies and yards requiring shade protection and privacy.

Eclipse	90mm
Sun Louvre	133mm
options	160mm
	200mm



The Eclipse system is comprised of aluminium and 316 marine grade stainless components with a high level of corrosion resistance.

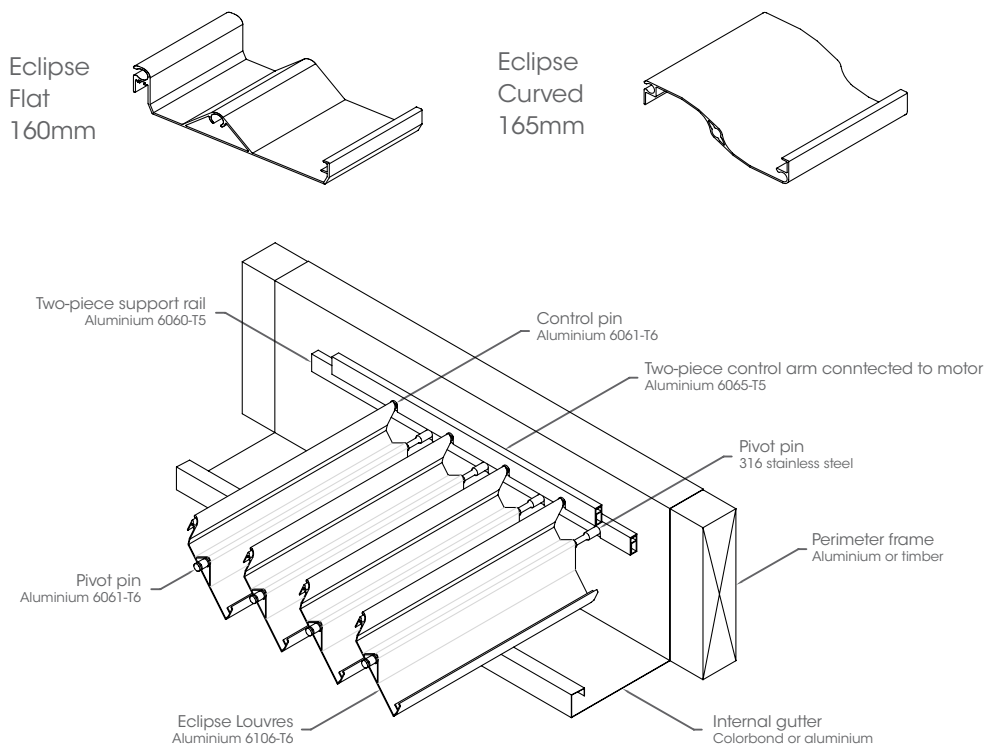
The solid extruded aluminium louvres are powder coated or anodised for years of trouble free service and come with a 10-year guarantee. The surrounding support structure is typically 250x50x3mm beams; which can be aluminium, steel, timber or any material that provides sufficient structural integrity to meet design and engineering requirements.

**Louvres** – Solid extruded aluminium 6106-T6 grade with a nominal thickness of 1.8mm to meet AS1866 and AS3902. Flat and curved opening roof louvres have a coverage of 150mm. Flat louvres span up to 4200mm and the curved up to 3600mm (refer to certified Engineer’s Design Manual). Powder coating to meet AS3715.

**Motor Pivot Pins** – Solid 316 grade stainless steel with nylon bush.

**Free End and Control Pins** – Solid 6061-T6 grade aluminium with nylon bush.

**Support Track and Lock Angles** – Solid extruded aluminium 6060 -T5 grade, powder coated to AS3715.



The Eclipse has been tested and certified for use throughout Australia and overseas including cyclonic areas. The louvres are manufactured from 6061 - T6 grade aluminium to meet Australian Standards AS1866 and AS3902, and powder coated to AS3715. International approval – ICC-ES. Report ER-5776P. Eclipse Opening Roof structures designed in accordance with the design manual will be structurally adequate to withstand design loads determined in accordance with the following Australian Standards Codes:

- AS/NZS 1170.1:2002 – Structural design actions
- AS/NZS 1170.2:2002 – Part 2 Wind actions
- AS 4100 – 1998 – Steel structures
- AS4055 – 2012 Amdt 1 2015 – Wind loads for housing code
- AS 1720.1 – 2006 – Timber structures Part 1: Design methods code
- AS/NZS1664.1:1997 – Aluminium structures Part 1: Limit state design Building Code of Australia 2016



10 Myra St New Lambton NSW 2305  
Phone: 02 4903 3300 Fax: 02 4957 7880  
Email: [eclipse@hv.com.au](mailto:eclipse@hv.com.au)  
B/L 322844C

Ring now or visit [www.hv.com.au](http://www.hv.com.au)  
for more information

For more than 35 years, HV Aluminium has been dedicated to installing in our customers the confidence to count on us by fulfilling the promise of "quality without compromise in selection, service and satisfaction". Employing the latest design and technology in our product range, HV Aluminium continues to deliver on our promise to our customers through a highly qualified network of authorised national and international dealers.

